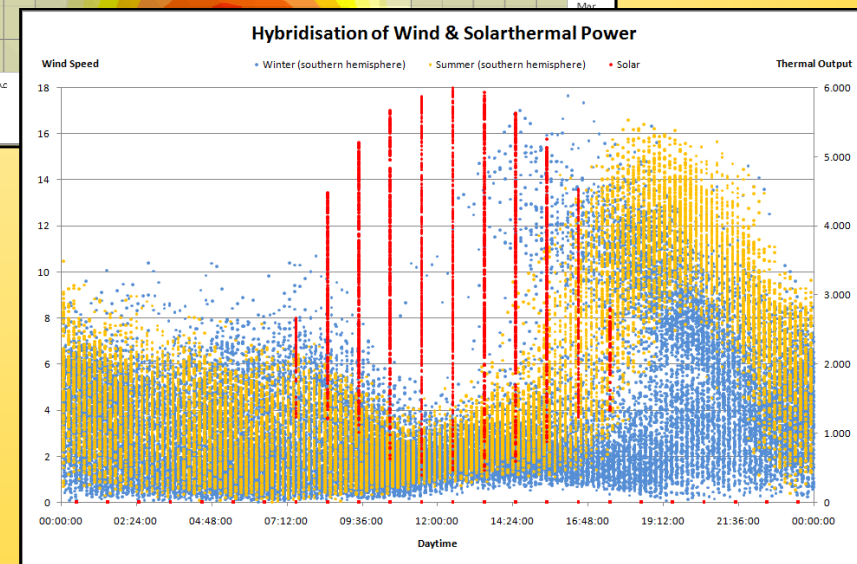
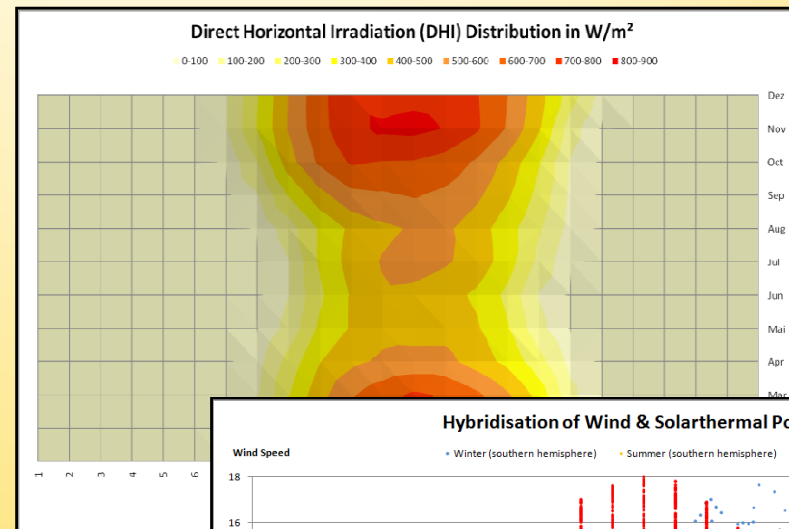


## 6. Business Activities SHP Europe

### Consulting

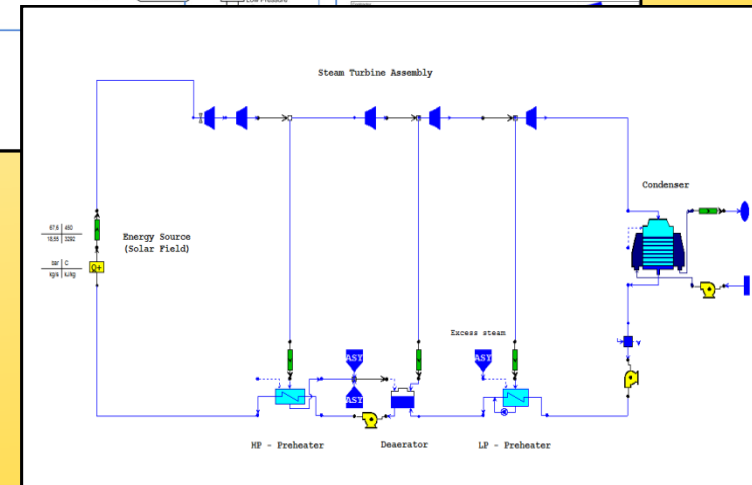
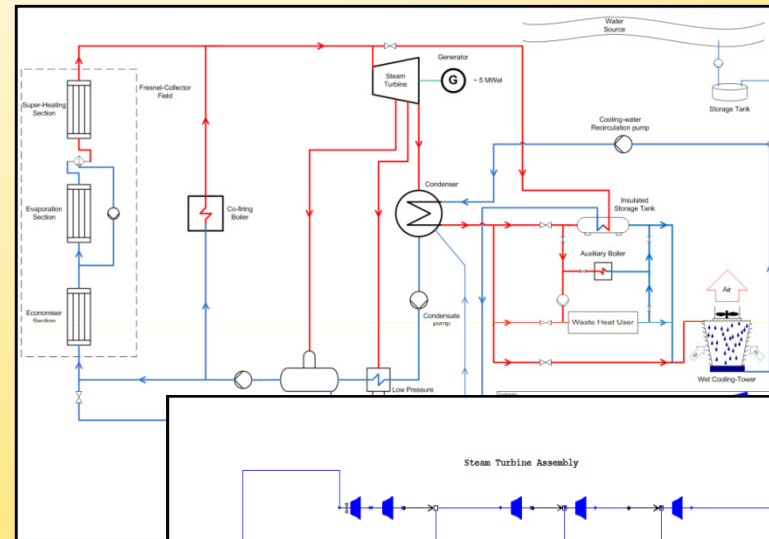
- Feasibility Studies for Solar Thermal Co-generation Plants, Wind Farms and Biogas Plants
- Execution of Energy Audits



## 6. Business Activities SHP Europe

### Engineering

- Construction Permit Management for Renewable Energy Plants
- Conceptional and Basic Engineering of Solar Thermal Co-generation, CHP and Solar Cooling Plants



## 6. Business Activities SHP Europe

### Consulting

- Supply and Erection of Measurement Stations
- Correlation with Public and Satellite Data
- Evaluation of Measured Data



Atagón, Smart, Chile

## 6. Business Activities SHP Europe

### Project Management

- Project Management for conventional and Renewable Energy Plants during Tender, Design and Construction Phase



Linear Fresnel Collector,  
Solar Power Group



**THANK YOU FOR YOUR ATTENTION**

**QUESTIONS?**



# SUSTAINABLE HEAT & POWER EUROPE GMBH

**Please feel free to contact us :**

**Sustainable Heat & Power  
Europe GmbH**

**Haus der Wirtschaft  
Wiesenstraße 35  
45473 Mülheim an der Ruhr / Germany**

**Tel.: +49 – 208 – 69 47 601**

**e-Fax: +49 – 208 – 69 47 602**

**Rüdiger Wolf - [wolf@shp-europe.com](mailto:wolf@shp-europe.com)**

**Internet: [www.sustainable-heat-power.com](http://www.sustainable-heat-power.com)**

© SHP Europe GmbH

Status : November 2010